


Board 1
Nord Deals
None Vul

♠ 8 6 5
♥ 8 7 6 5
♦ 10 6 5
♣ 10 5 4


♠ R V 9		♠ A 7 4
♥ 10 4		♥ A D V 9
♦ A R 9 8 7		♦ V 2
♣ R D 6		♣ A V 8 2

♠ D 10 3 2
♥ R 3 2
♦ D 4 3
♣ 9 7 3

EO 6N; EO 6♠; EO 6♥; E 6♦; EO 6♣; O 5♦;
Par -990

Board 2
Est Deals
N-S Vul

♠ A D 4
♥ R D 8 7 4
♦ A 7 4 3 2
♣ —


♠ 10 9 7 5		♠ R 6
♥ A		♥ 10 6 5
♦ D 10		♦ R V 8 5
♣ V 10 6 5 4 2		♣ D 9 7 3

♠ V 8 3 2
♥ V 9 3 2
♦ 9 6
♣ A R 8

NS 4♥; NS 2N; NS 2♠; EO 3♣; NS 2♦; Par +300:
EO 5♣×-2

Board 3
Sud Deals
E-W Vul

♠ 9 3 2
♥ R D 5 2
♦ 9 6 3
♣ A 4 2


♠ R V 6		♠ A 10 5 4
♥ V 10 7 6 4		♥ 9 3
♦ 8		♦ R D 7 4 2
♣ V 9 7 6		♣ 10 5

♠ D 8 7
♥ A 8
♦ A V 10 5
♣ R D 8 3

NS 2N; NS 2♥; NS 2♦; NS 2♣; NS 1♠; Par +120

Board 4
Ouest Deals
Both Vul

♠ D 8 7 4 2
♥ R D V
♦ 7 5 4 3 2
♣ —


♠ V 9		♠ A R 5
♥ 10 6 3		♥ A 5 4
♦ D 6		♦ A R V 10 9
♣ A V 10 4 3 2		♣ 8 5

♠ 10 6 3
♥ 9 8 7 2
♦ 8
♣ R D 9 7 6

EO 4N; EO 3♥; O 4♦; O 2♠; E 3♦; EO 2♣;
E 1♠; Par -630

Board 5
Nord Deals
N-S Vul

♠ A 10 5
♥ V 10 2
♦ 9 6 4 3 2
♣ 10 6


♠ R V 7 6 2		♠ 9 8 4 3
♥ D 9 7 6 3		♥ R 4
♦ 7		♦ 8
♣ 3 2		♣ A R D 8 7 5

♠ D
♥ A 8 5
♦ A R D V 10 5
♣ V 9 4

EO 3♠; NS 4♦; NS 1N; EO 2♣; EO 1♥;
Par +100; EO 4♠×-1

Board 6
Est Deals
E-W Vul

♠ 9 4 3
♥ V 7 4 3
♦ R 9
♣ A R 10 2

♠ R D		♠ 10 8 7 6
♥ R 6 2		♥ D 9
♦ V 7 6		♦ D 8 5 4 2
♣ D 8 6 5 3		♣ 7 4

♠ A V 5 2
♥ A 10 8 5
♦ A 10 3
♣ V 9

N 5N; NS 5♥; S 4N; NS 4♠; NS 3♣; NS 1♦;
Par +460

Board 7
Sud Deals
Both Vul

♠ R V 7 2	♠ 10 9 8	♠ D 5 3
♥ R V 8 7 6 4	♥ D 3 2	♥ 5
♦ —	♦ R 9 7	♦ D 10 6 4 2
♣ 9 8 3	♣ A D 10 5	♣ V 7 4 2

♠ A 6 4	♠ A 8 2
♥ A 10 9	♥ A D 3 2
♦ A V 8 5 3	♦ V 9 6
♣ R 6	♣ A 10 7

NS 4N; S 3♠; NS 4♦; S 4♣; N 2♠; N 3♣; NS 1♥;
Par +630

Board 8
Ouest Deals
None Vul

♠ R 9 6 5	♠ D 10 4	♠ A 8 2
♥ R 9 7	♥ V 10 6 5	♥ A D 3 2
♦ A R 7 5	♦ D 8	♦ V 9 6
♣ D 4	♣ V 8 6 5	♣ A 10 7

♠ V 7 3	♠ V 7 6
♥ 8 4	♥ D 9 8 4
♦ 10 4 3 2	♦ A D 7
♣ R 9 3 2	♣ R D 3

EO 5N; EO 5♠; EO 4♥; EO 4♦; EO 3♣; Par -460

Board 9
Nord Deals
E-W Vul

♠ V 9 6	♠ R D 10 8 5 4 2	♠ A
♥ 10 6 5 4 3	♥ V	♥ R 9 7
♦ 4	♦ D 3	♦ 9 8 7 6
♣ 8 6 4 2	♣ A D 7	♣ R V 9 5 3

♠ 7 3	♠ A D 10
♥ A D 8 2	♥ A D V 8 6 2
♦ A R V 10 5 2	♦ 7 5
♣ 10	♣ 6 3

N 6N; NS 6♠; NS 6♦; S 5N; N 2♥; S 1♥; EO 1♣;
Par +990

Board 10
Est Deals
Both Vul

♠ R D 10 6 4 2	♠ A 9 5 3	♠ V 8
♥ A 5 2	♥ V 4	♥ R 9 6
♦ 3	♦ A 10 7 4 2	♦ D 8 6
♣ A R V	♣ 10 2	♣ D 9 6 4 3

♠ 7	♠ V 8
♥ D 10 8 7 3	♥ R 9 6
♦ R V 9 5	♦ D 8 6
♣ 8 7 5	♣ D 9 6 4 3

EO 5♠; EO 4♣; EO 1N; NS 2♦; NS 1♥; Par -650

Board 11
Sud Deals
None Vul

♠ V 7 6	♠ A 10 3	♠ R 8
♥ D 9 8 4	♥ A R V 7 3 2	♥ —
♦ A D 7	♦ V 4	♦ R 10 9 6 5 3
♣ R D 3	♣ A V	♣ 10 9 8 4 2

♠ D 9 5 4 2	♠ D 9 5 4 2
♥ 10 6 5	♥ 10 6 5
♦ 8 2	♦ 8 2
♣ 7 6 5	♣ 7 6 5

EO 5♦; O 5♣; E 4♣; NS 2♠; NS 2♥; EO 1N;
Par -400

Board 12
Ouest Deals
N-S Vul

♠ A D 10	♠ 6 2	♠ 8
♥ A D V 8 6 2	♥ R 7 4	♥ 10 9 5 3
♦ 7 5	♦ 10 8 6 4 2	♦ A R V 9
♣ 6 3	♣ 10 9 7	♣ R V 5 4

♠ R V 9 7 5 4 3	♠ R V 9 7 5 4 3
♥ —	♥ —
♦ D 3	♦ D 3
♣ A D 8 2	♣ A D 8 2

E 5♥; O 4♥; EO 3N; EO 2♦; EO 2♣; E 1♠;
Par -450

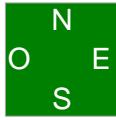
Board 13Nord Deals
Both Vul

♠ R 10 9 7 4

♥ 10 8

♦ V 4

♣ R 10 5 4

♠ 8 6 2
♥ A R 9 7 3
♦ 10 9
♣ 8 6 2♠ A 3
♥ D V 6 4
♦ R 6 3 2
♣ A 9 3♠ D V 5
♥ 5 2
♦ A D 8 7 5
♣ D V 7

NS 3♠; EO 2♥; EO 1N; NS 2♦; NS 2♣; Par +140

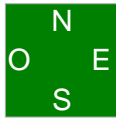
Board 14Est Deals
None Vul

♠ A D 5

♥ A R 10 7 5 4

♦ 10 7 6

♣ 10

♠ R 8 4 2
♥ 8 6
♦ V 9 3 2
♣ A 7 4♠ 9 7
♥ V 3 2
♦ D 4
♣ R 9 8 6 3 2♠ V 10 6 3
♥ D 9
♦ A R 8 5
♣ D V 5S 6♥; NS 5N; N 5♥; NS 4♠; NS 4♦; NS 1♣;
Par +980**Board 15**Sud Deals
N-S Vul

♠ A V 7 6 3

♥ 10

♦ A D 6

♣ A V 9 7

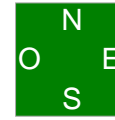
♠ D 10 8 4 2
♥ 8 6 2
♦ 10 9 8
♣ 6 3♠ —
♥ A R D 9 4
♦ R 5 3 2
♣ R D 5 2♠ R 9 5
♥ V 7 5 3
♦ V 7 4
♣ 10 8 4NS 2♠; EO 2♥; NS 1N; N 2♣; EO 1♦; S 1♣;
Par +100; EO 3♥×-1**Board 16**Ouest Deals
E-W Vul

♠ V 7 5

♥ D V 9 2

♦ A 10 8 2

♣ 9 2

♠ D 9 8
♥ A 10 5 4
♦ D V
♣ V 8 6 3♠ R 10 4 3 2
♥ R 8 7 6
♦ 7 3
♣ 10 5♠ A 6
♥ 3
♦ R 9 6 5 4
♣ A R D 7 4

NS 6♦; NS 3N; NS 4♣; NS 1♠; NS 1♥; Par +920

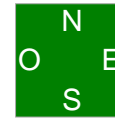
Board 17Nord Deals
None Vul

♠ R D 6 5 4

♥ D 6 4

♦ 4

♣ A V 5 4

♠ V
♥ A R 10 7 5 3
♦ 10 9 6 2
♣ 10 2♠ A 7
♥ V 9 8 2
♦ A R V
♣ R D 9 7♠ 10 9 8 3 2
♥ —
♦ D 8 7 5 3
♣ 8 6 3EO 5♥; NS 3♠; EO 2N; EO 3♦; EO 2♣;
Par -300; NS 5♠×-2**Board 18**Est Deals
N-S Vul

♠ A V 10 8 7 3

♥ 3

♦ V 9 3 2

♣ D 9

♠ 9 4 2
♥ A R 10 2
♦ A 8 6
♣ A R 2♠ 6 5
♥ D V 9 8 6
♦ 7
♣ V 10 8 6 4♠ R D
♥ 7 5 4
♦ R D 10 5 4
♣ 7 5 3

EO 5♥; EO 5♣; NS 3♦; EO 1N; NS 1♠; Par -450

Board 19

Sud Deals

E-W Vul

♠ R 9 5
 ♥ A 7 5 3 2
 ♦ R D
 ♣ 10 6 3

	N	
O		E
	S	

♠ 10 8 4
 ♥ D 10 9 6
 ♦ 10 5 4 2
 ♣ A 8

♠ A V 6 3
 ♥ V
 ♦ 9 6
 ♣ R D V 7 5 2

NS 4♠; NS 4♣; NS 2N; NS 2♥; EO 1♦; Par +420

Board 20

Ouest Deals

Both Vul

♠ D 5 2
 ♥ V 10 5
 ♦ R 9 7 4 3
 ♣ D 9

	N	
O		E
	S	

♠ 7
 ♥ R 9 4
 ♦ D V 8 5
 ♣ R V 7 5 4

♠ V 10 9 8 6
 ♥ D 6 3
 ♦ 10
 ♣ 10 6 3 2

EO 5N; EO 5♥; O 5♦; EO 5♣; EO 3♠; E 4♦;
Par -660**Board 21**

Nord Deals

N-S Vul

♠ A 9 6
 ♥ R 10 8 5 3
 ♦ D 4 2
 ♣ V 2

	N	
O		E
	S	

♠ 10 7 2
 ♥ A
 ♦ V 9 8 6 5
 ♣ A D 8 3

♠ R D V 8
 ♥ V 2
 ♦ A R 10 7
 ♣ 9 6 5

NS 3♠; NS 2N; NS 2♥; NS 2♦; EO 1♣; Par +140

Board 22

Est Deals

E-W Vul

♠ R D 8 5 3
 ♥ 10 9 5 3
 ♦ 8 7 6
 ♣ A

	N	
O		E
	S	

♠ V 10 9 4 2
 ♥ A R D
 ♦ A 4
 ♣ 10 6 2

♠ A
 ♥ V 4 2
 ♦ R V 9 5
 ♣ D V 8 5 3

♠ 7 6
 ♥ 8 7 6
 ♦ D 10 3 2
 ♣ R 9 7 4

EO 3N; EO 5♣; EO 2♠; EO 2♥; EO 3♦; Par -600

Board 23

Sud Deals

Both Vul

♠ 3
 ♥ D 9 6
 ♦ V 5 4
 ♣ A 9 7 6 5 4

	N	
O		E
	S	

♠ D 9 4
 ♥ A V 7 5 3
 ♦ A R 8
 ♣ 8 2

♠ A V 10 8 2
 ♥ R 8 4 2
 ♦ 7 6
 ♣ V 10

♠ R 7 6 5
 ♥ 10
 ♦ D 10 9 3 2
 ♣ R D 3

EO 3♠; EO 3♥; NS 3♦; NS 1N; NS 2♣; Par -140

Board 24

Ouest Deals

None Vul

♠ R V 5 4
 ♥ D 3
 ♦ A 8
 ♣ A R 7 4 3

	N	
O		E
	S	

♠ 10 9 8 7 2
 ♥ 7 4
 ♦ 4
 ♣ D 10 9 6 2

♠ 6
 ♥ V 5 2
 ♦ R D V 10 7 6 2
 ♣ V 8


♠ A D 3
 ♥ A R 10 9 8 6
 ♦ 9 5 3
 ♣ 5

NS 7N; NS 7♥; NS 5♠; NS 4♣; NS 1♦;
Par +1520

Board 25

Nord Deals

E-W Vul


♠ D		♠ A V 6 5 2
♥ 6 4		♥ D V 3 2
♦ D 10 8 3 2		♦ 5 4
♣ D 7 5 4 3		♣ 9 6
		
♠ R 8 3		
♥ A 7 5		
♦ V 9 7 6		
♣ A R 8		

EO 3♠; EO 2♥; NS 3♦; NS 3♣; NS 1N;
Par -100: NS 4♣×-1; NS 4♦×-1

Board 26

Est Deals

Both Vul


♠ R D 10 5 4		♠ 9 2
♥ R		♥ A 10 9 7 4 2
♦ A R 6		♦ D 4 2
♣ D 9 7 3		♣ A V
		
♠ V 6 3		
♥ 5 3		
♦ 7 5 3		
♣ R 10 8 5 2		
♠ A 8 7		
♥ D V 8 6		
♦ V 10 9 8		
♣ 6 4		

N 4♠; NS 3N; S 3♠; NS 3♦; NS 2♣; NS 1♥;
Par +620

Board 27

Sud Deals

None Vul


♠ A V 9 6 3		♠ D 10 2
♥ R V		♥ D 10
♦ A 9 8 7		♦ R 4
♣ 6 4		♣ A D 9 7 5 3
		
♠ R		
♥ 8 6 5 3 2		
♦ V 10 5 3		
♣ V 10 8		
♠ 8 7 5 4		
♥ A 9 7 4		
♦ D 6 2		
♣ R 2		

NS 3♠; NS 2♥; NS 1N; NS 2♦; EO 2♣; Par +140

Board 28

Ouest Deals

N-S Vul


♠ V 10 9 2		♠ A D 4
♥ V 2		♥ A D 9 4
♦ A R 8		♦ D V 10 2
♣ 8 5 4 3		♣ V 9
		
♠ 8 6 5		
♥ R 7 5		
♦ 9 7 6 4 3		
♣ D 6		
♠ R 7 3		
♥ 10 8 6 3		
♦ 5		
♣ A R 10 7 2		

NS 3N; NS 3♠; NS 4♣; NS 1♥; EO 1♦; Par +500;
EO 4♦×-3

Board 29

Nord Deals

Both Vul


♠ R D 10		♠ V 9 2
♥ 10 5		♥ 9 7 6 2
♦ R 9 4		♦ V 2
♣ A 6 5 4 3		♣ V 9 8 7
		
♠ A 7 5		
♥ D V 8 4 3		
♦ A 6 5		
♣ R 2		
♠ 8 6 4 3		
♥ A R		
♦ D 10 8 7 3		
♣ D 10		

NS 3♠; NS 4♦; NS 2N; NS 3♣; Par +140

Board 30

Est Deals

None Vul

♠ R 10 9 3		♠ V
♥ A R D 7 6 5		♥ 10 9 4 2
♦ 8		♦ R 10 4
♣ R 4		♣ A D 9 8 7
		
♠ D 8 6 4		
♥ —		
♦ D V 6 5 3 2		
♣ 10 5 3		
♠ A 7 5 2		
♥ V 8 3		
♦ A 9 7		
♣ V 6 2		

NS 5N; NS 4♥; S 3♠; N 2♠; EO 3♦; EO 1♣;
Par +460

Board 31

Sud Deals

N-S Vul

♠ R V 3
 ♥ R 9 2
 ♦ A D 8 4
 ♣ 9 7 5

♠ A 9 5
 ♥ D V 6 4
 ♦ R V 5 3
 ♣ D 6



♠ D 10 7 6 4
 ♥ 10 3
 ♦ 6 2
 ♣ A 10 8 2

♠ 8 2
 ♥ A 8 7 5
 ♦ 10 9 7
 ♣ R V 4 3

NS 3♥; NS 2N; NS 3♦; NS 2♣; EO 1♠; Par +140

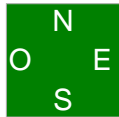
Board 32

Ouest Deals

E-W Vul

♠ V 8 2
 ♥ 9 6 4
 ♦ D 9
 ♣ A V 8 6 2

♠ A 9 6
 ♥ R 8
 ♦ R 8 4
 ♣ R D 10 7 4



♠ R D 7 4
 ♥ A 7
 ♦ A V 7 6 5 3
 ♣ 9

♠ 10 5 3
 ♥ D V 10 5 3 2
 ♦ 10 2
 ♣ 5 3

EO 6N; EO 6♠; EO 6♦; EO 4♣; EO 2♥;
 Par -1440